

CENTRIFUGAL FANS NMPT



APPLICATION:

Centrifugal fans NMPT are meant for pressing of air and other inert gas and steams Containing crumbled, light-weight solid particles. They are intended for pneumatic transport of sawdust and wood shavings, leather material wastes, synthetic fibres, hurds, shove harls, beetroot pomace, dried feed etc. They are recommended to be used in wood, chemical, textile and food industries. Concentration of loose or fibrous material may not exceed 0,2kg/m³.

CONSTRUCTION:

Main elements of the set such as: impeller, casing, base frame are made of standard steel of ordinary quality. In corrosion and heat-corrosion resistant executions the impeller and casing are made of steel with increased resistance to corrosion.

DRIVES:

- Direct drive (1) – up to 80°C
- Indirect belt drive (2) – up to 350°C

PROTECTION AGAINST CORROSION:

- Standard execution - painting with standard set of paints, C3 class, RAL 5009,
- Heat resistant execution - painting with a set of paints resistant to heat up to 350°C

MOTOR :

In standard the fans are driven by three-phase electric motors in IP55 execution, insulation class F. Ambient temperature must not exceed 40°C.

ATEX:

The explosion-proof fans are meant for operation in potentially explosive areas according to ATEX 94/9/WE directive. Available executions:

- Zones 2 and 1 for gases (3G/2G)
- Zones 22 and 21 for dusts (3D/2D)

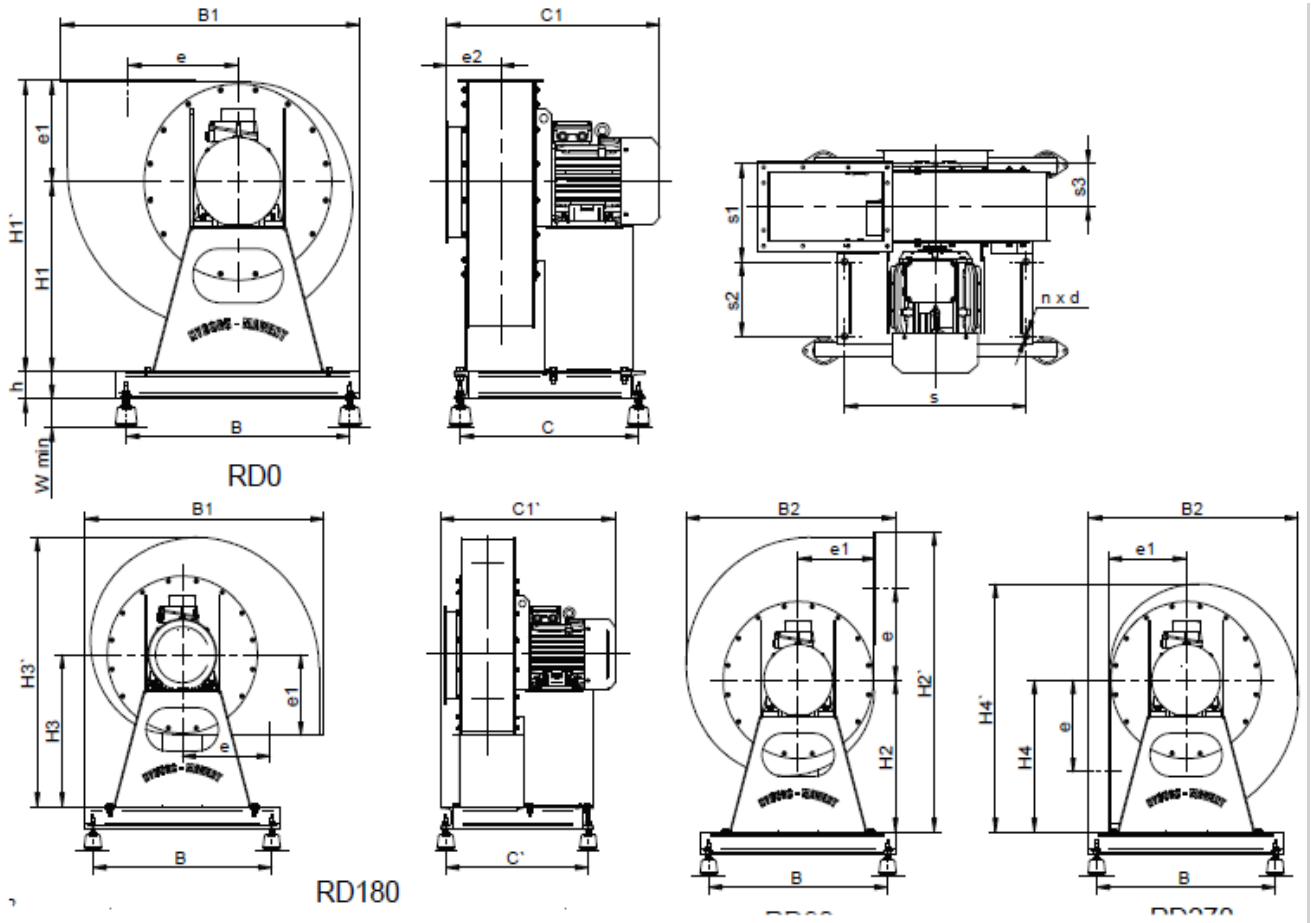
MOUNTING POSITIONS:

Each size of fan is produced with 8 locations of fan's outlet:

- Right: RD0, RD90, RS180, RD270
- Left: LG0, LG90, LG180, LG270

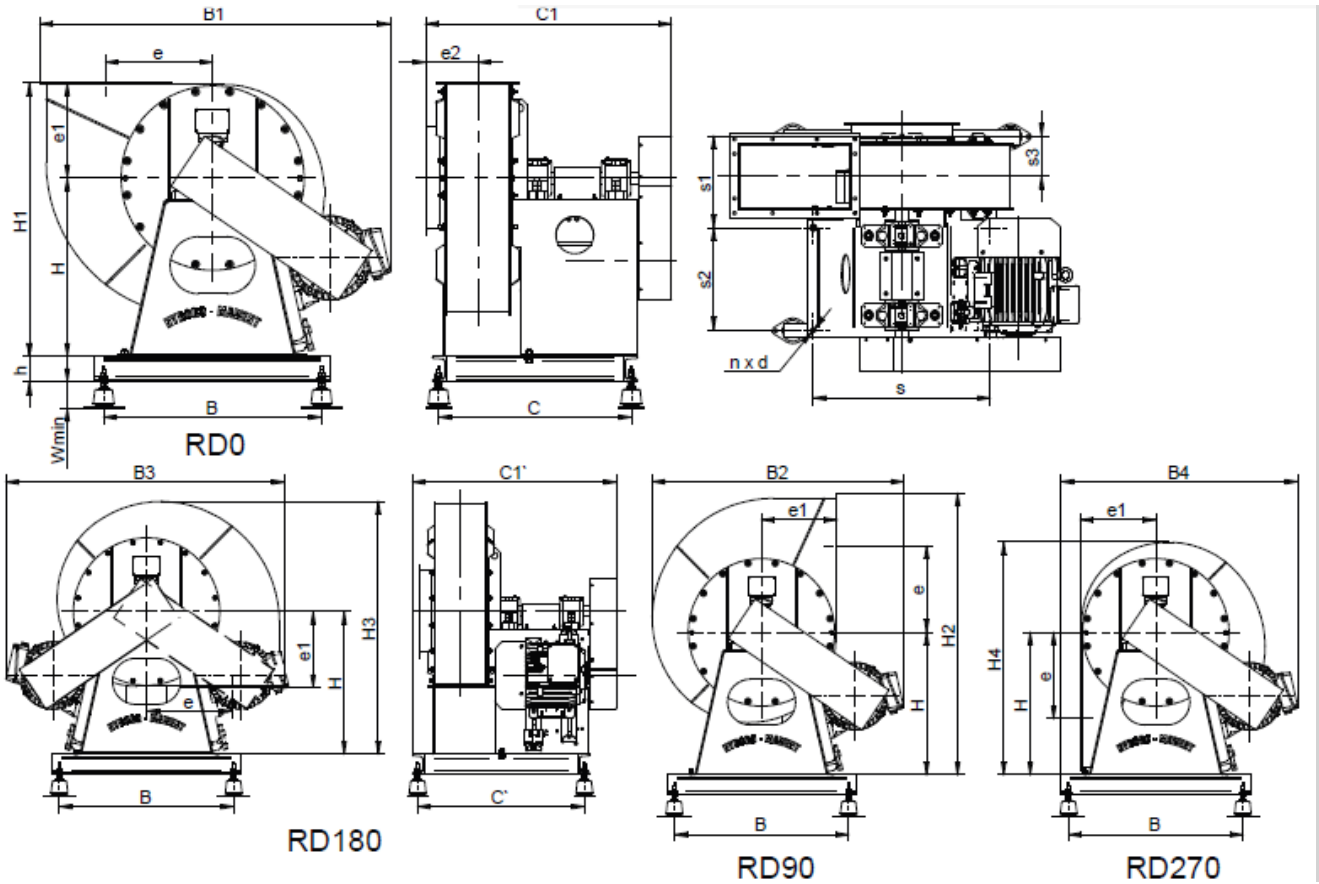
Given dimensions are visual, the producer reserve the possibility of changes.

FAN TYPE NMPT 20-50 WITH DIRECT DRIVE



NMPT	Motor power [kW]	Motor size	e	e1	e2	s	s1	s2	s3	H1	H2	H3	H4	H1'	H2'	H3'	H4'	B	B1	B2	C	C1	C'	C1'	h	Wmin	d	n	Fan weight [kg]			
			[mm]																									[szt]	[kg]			
20	0,75	80 L-2	230	258	106	480	246	170	105	400	400	400	400	658	762	703	668	620	702	643	465	478	465	478	80					80		
	1,1	80 2-2																				515		515								
	1,5	90S-2																														
	2,2	90L-2																														
	3	100L-2																														
25	1,5	90L-4	291	320	123	480	281	220	121	450	450	450	450	770	898	830	784	620	788	719	550	645	550	645	80					160		
	2,2	100L1-4																														
	3	100L-2																														
	5,5	132S1-2																														
	7,5	132S2-2																														
31,5	2,2	100L1-4	370	403	155	650	329	220	146	600	600	600	600	1003	1171	1077	1021	920	1061	965	590	605	590	605	80					165		
	3	100L2-4																														
	5,5	132S-4																														
	11	160M-T-2																														
	18,5	160L-2																														
40	7,5	132M2-4	460	501	184	830	390	370	177	750	750	750	750	1251	1453	1345	1275	1040	1253	1145	760	858	760	858	140					300		
	11	160M-4																														
	15	160L-4																														
	22	180L-4																														
	30	200L1-2																														
	45	225M-2																														
50	11	160L-6	582	625	232	830	489	470	214	890	890	890	890	1515	1775	1634	1546	1040	1541	1369	940	1081	940	1081	140					446		
	18,5	200L1-6																														
	22	180L-4																														
	37	225S-4																														
	45	225M-4																														
75	280S-2																															

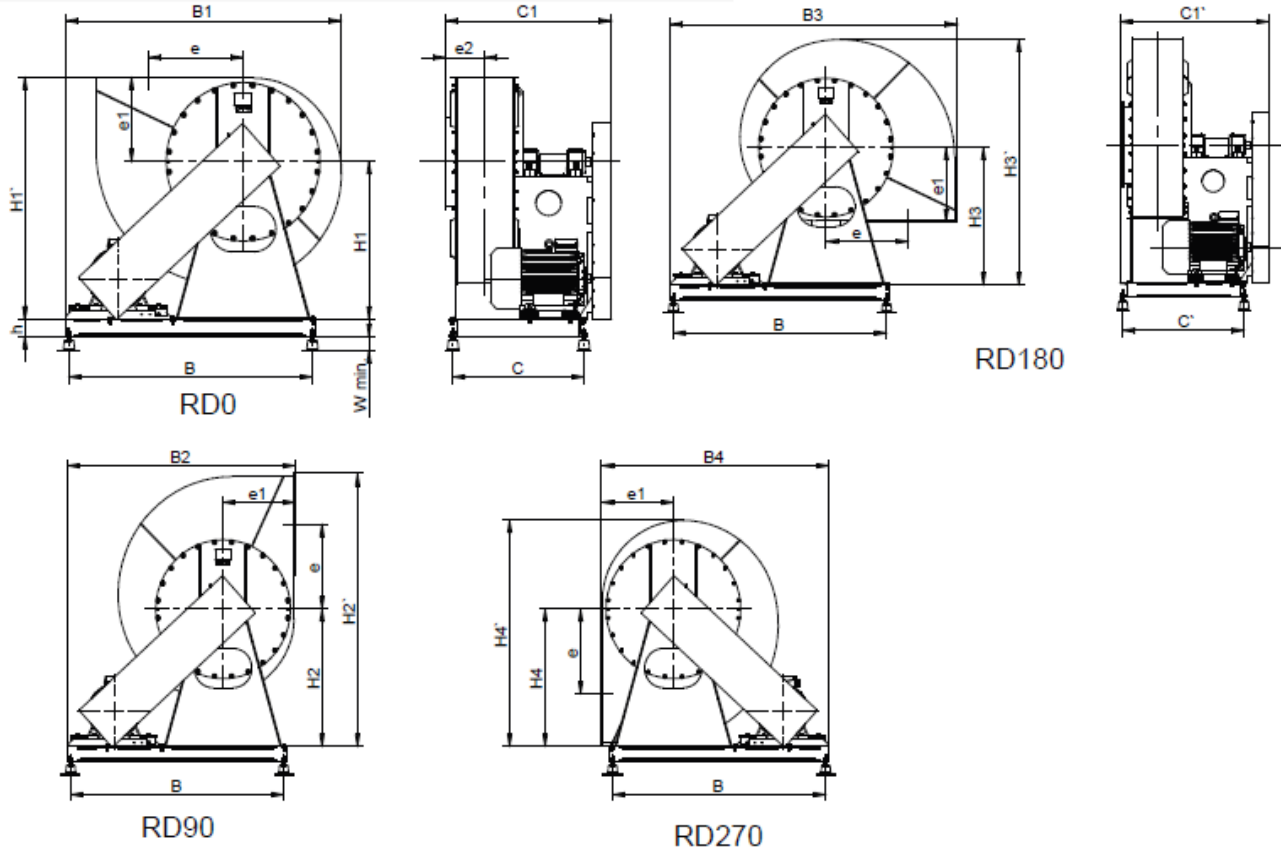
FAN TYPE NMPT 20-50 WITH V-BELT DRIVE



NMPT	Motor power (kW)	Motor size	e	e1	e2	s	s1	s2	s3	H	H1	H2	H3	H4	B	B1	B2	B3	B4	C	C1	C'	C1'	h	Wmin	d	n	Fan weight (kg)
			(mm)																							(szt.)	(kg)	
20	0,75	80 1-2	230	258	115	480	246	282	105	400	658	762	702	668	750	843	843	843	843	527	633	527	633	80	85	14	5	80
	1,1	80 2-2																										82
	1,5	90S-2																										85
	2,2	90L-2																										96
	3	100L-2																										151
25	1,5	90L-4	291	320	125	480	283	335	123	450	770	898	828	784	750	900	856	856	856	613	732	648	732	80	85	14	5	158
	2,2	100L1-4																										212
	3	100L-2																										212
31,5	2,2	100L1-4	370	403	155	650	339	330	146	600	1003	1171	1076	1021	920	1164	1083	1083	1083	665	811	710	811	100	85	14	5	266
	3	100L2-4																										366
	5,5	132S-4																										366
40	7,5	132M2-4	460	501	186	830	404	370	179	750	1251	1453	1345	1275	1040	1365	1257	1253	1212	770	940	810	982	100	85	14	5	366
50	11	160L-6	582	625	229	830	489	475	217	890	1515	1775	1634	1546	1040	1634	1494	1627	1374	960	1152	960	1152	100	85	14	5	595

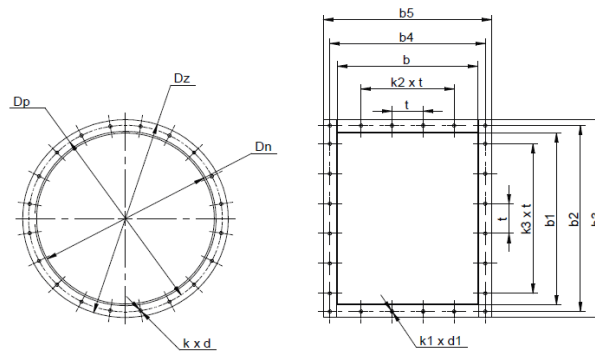
FAN TYPE NMPT 20-63 WITH V-BELT DRIVE

MOTOR ON THE BASE FRAME



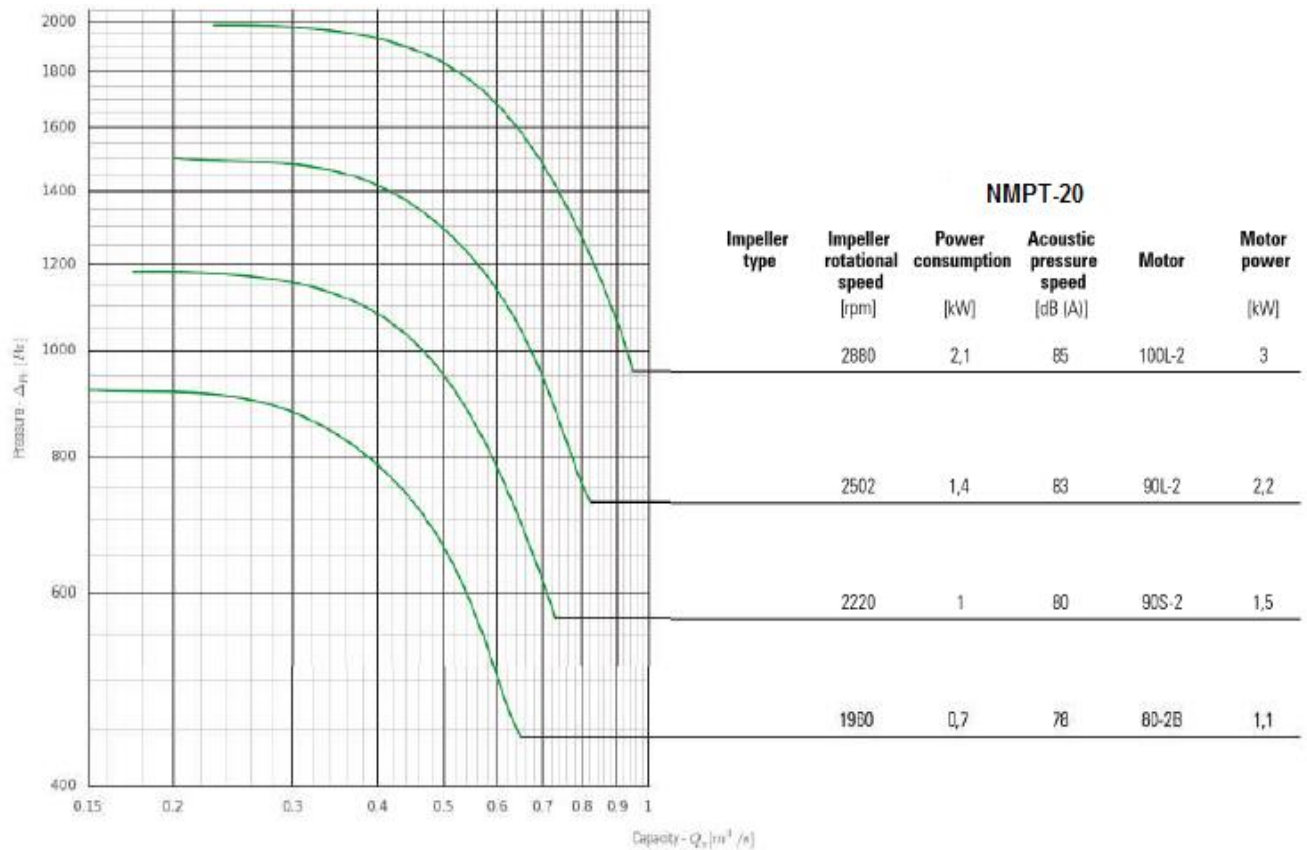
NMPT	Motor power	Motor size	e	e1	e2	s	s1	s2	s3	H1	H2	H3	H4	H1'	H2'	H3'	H4'	B	B1	B2	B3	B4	C	C1	C'	C1'	h	Wmin	d	n	Fan weight
	[kW]		[mm]																								[szt.]	[kg]			
25	5,5	132S1-2	291	320	125	480	283	335	123	450	450	450	450	770	898	828	784	990	1109	1095	1223	1095	608	731	608	731	80	85	14	5	223
	7,5	132S2-2																													
31,5	11	160M-1-2	370	403	155	650	339	330	146	600	600	600	600	1003	1171	1076	1021	1260	1381	1363	1531	1363	675	811	675	811	100				351
	18,5	160L-2																													
40	11	160M-4	460	501	186	830	404	370	179	750	750	750	750	1291	1493	1385	1315	1040	1575	1681	1883	1681	780	955	780	955	140	85	14	5	450
	15	160L-4																													520
	22	180L-4																													520
	30	200L1-2																													650
	45	225M-2																													750
50	18,5	200L1-6	582	625	229	830	489	475	217	890	890	890	890	1515	1775	1634	1546	1875	2313	2070	2330	2070	960	1160	960	1160	140	85	14	5	847
	22	180L-4																													720
	37	225S-4																													820
	45	225M-4																													850
	75	280S-2																													1050
63	30	225M-6	741	796	246	680	618	618	277	960	850	796	1130	1756	1970	1740	1960	2080	2655	2621	2945	2521	1240	1500	1240	1500	220	140	19	5	1420
	37	250M-6																													1585
	55	280M-6																													1705
	75	280S-4																													1705

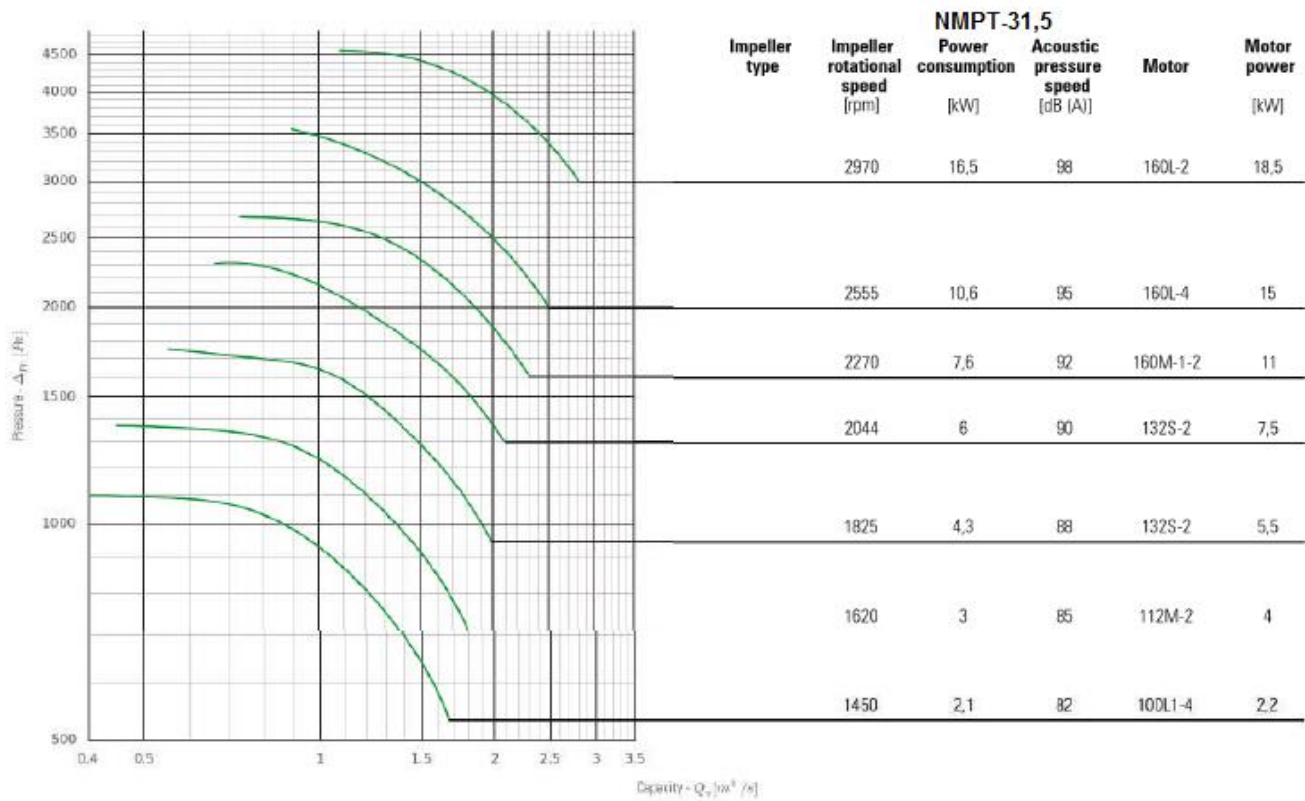
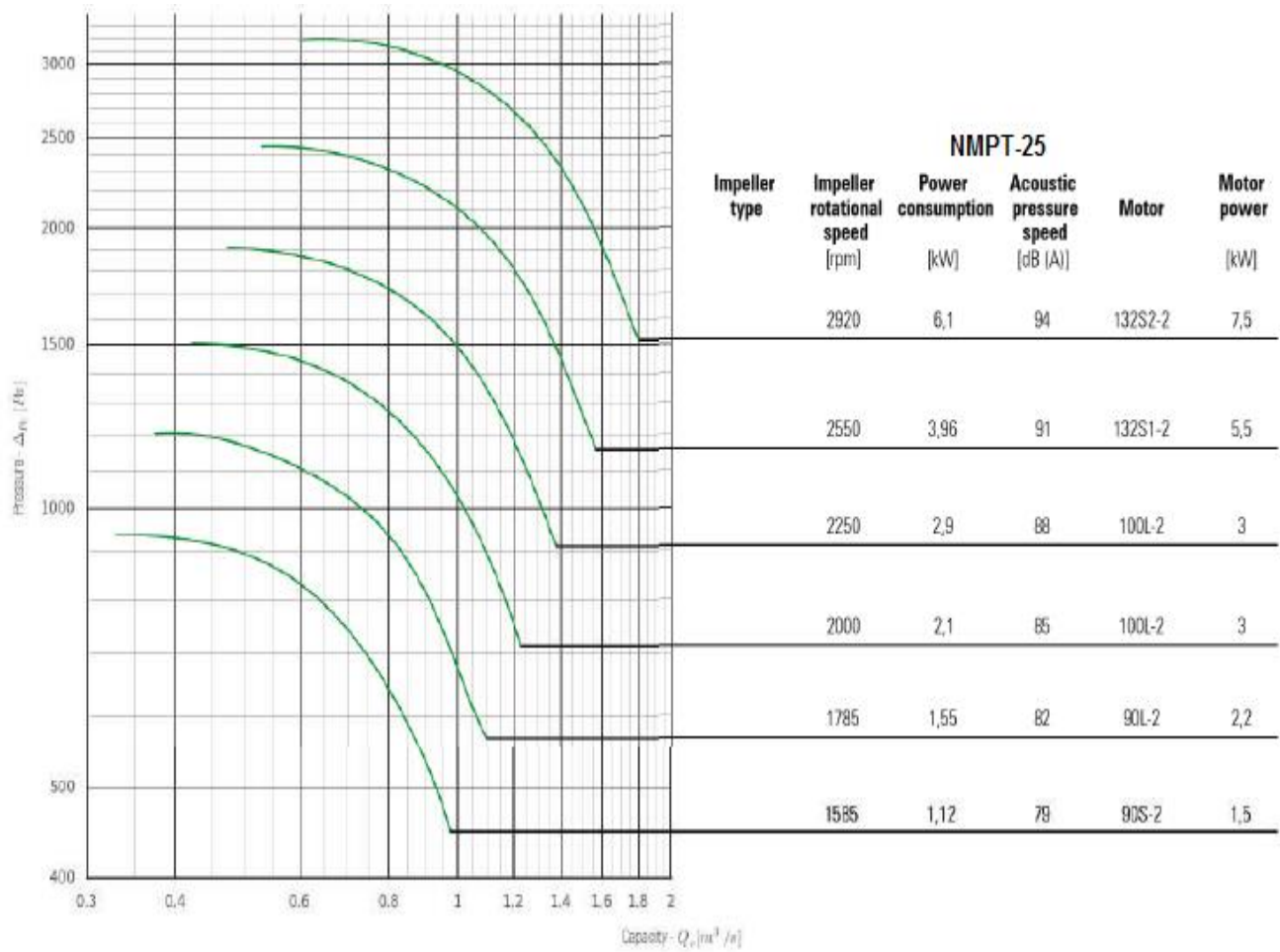
CONNECTIONS

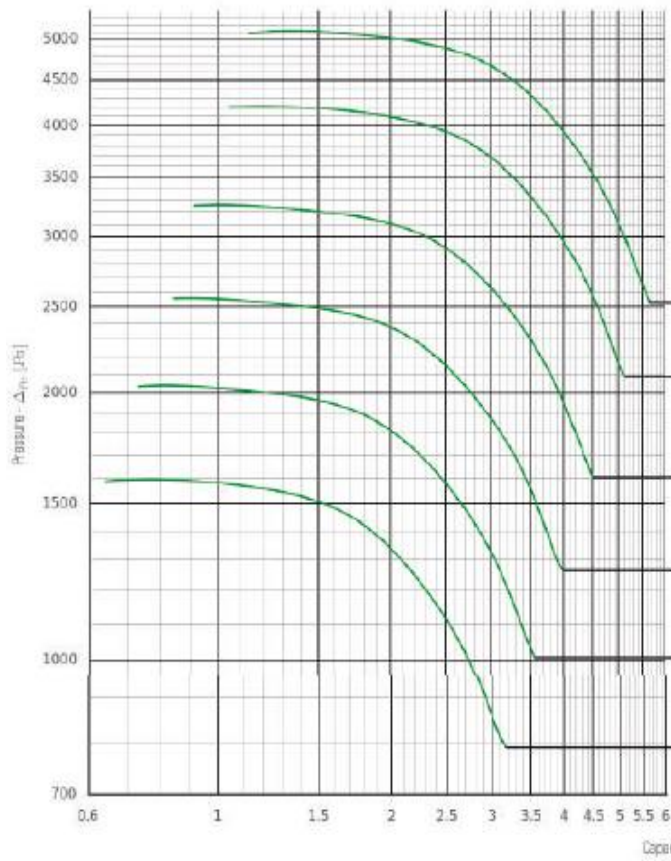


NMPT	Dn	Dp	Dz	b	b1	b2	b3	b4	b5	t	d	d1	k	k1	k2	k3
	[mm]												[szt.]			
20	200	239	264	160	200	238	264	185	224	140	10	10	8	8	-	1
25	250	289	314	190	250	288	314	228	254	140	10	10	8	8	-	1
31,5	315	361	394	236	315	359	401	280	322	140	12	12	8	12	1	1
40	400	446	484	300	400	444	486	344	388	140	12	12	12	12	1	1
50	500	573	624	275	500	570	606	445	483	140	14	15	16	16	1	3
63	630	703	754	475	630	700	758	545	603	140	M12	15	16	16	1	3

FLOW CHARACTERICS

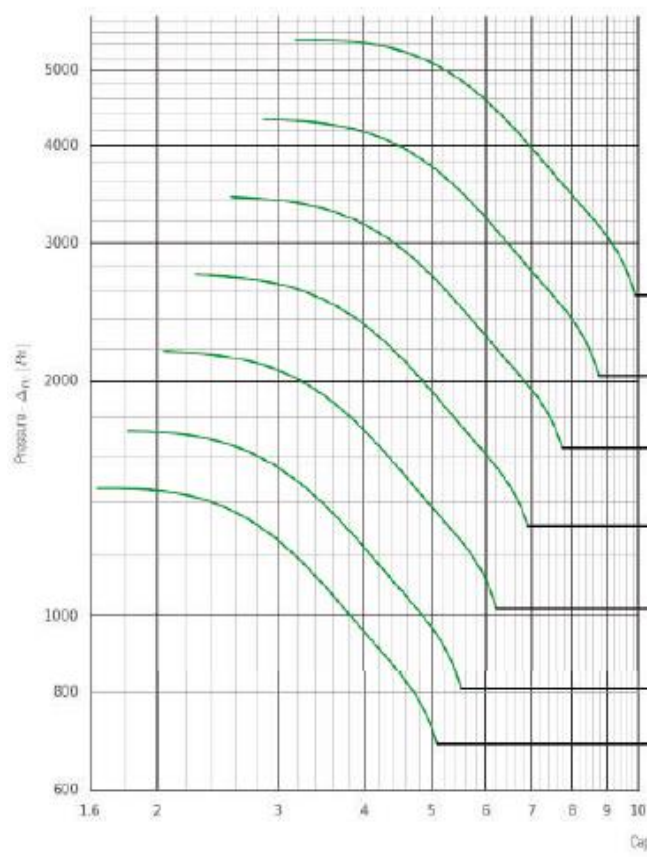






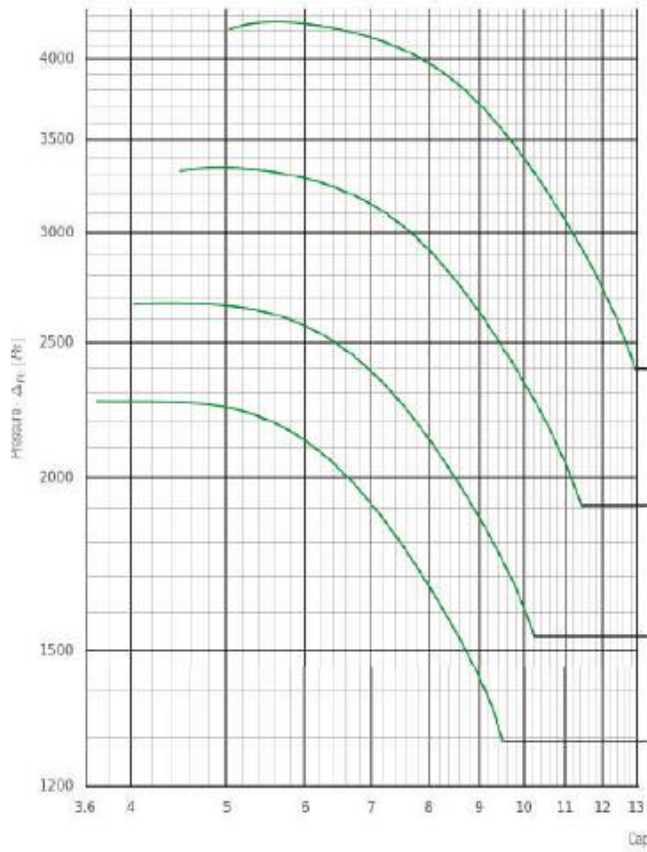
NMPT-40

Impeller type	Impeller rotational speed [rpm]	Power consumption [kW]	Acoustic pressure speed [dB (A)]	Motor	Motor power [kW]
	2315	25,6	100	200L-4	30
	2100	18,7	97	180M-2	22
	1845	15,3	94	180M-4	18,5
	1635	11	91	160L-4	15
	1460	7,2	88	160M-4	11
	1295	5,2	86	132M-4	7,5



NMPT-50

Impeller type	Impeller rotational speed [rpm]	Power consumption [kW]	Acoustic pressure speed [dB (A)]	Motor	Motor power [kW]
	1860	54	104	250M-4	55
	1650	39,2	98	225M-4	45
	1470	26,9	95	200L-4	30
	1310	19,6	92	180L-4	22
	1171	14,9	89	180M-4	18,5
	1042	10,9	86	160L-4	15
	960	7,9	84	160L-6	11



NMPT-63

Impeller type	Impeller rotational speed [rpm]	Power consumption [kW]	Acoustic pressure speed [dB (A)]	Motor	Motor power [kW]
	1320	61,2	100	280S-4	75
	1171	45,1	97	250M-4	55
	1050	31,7	95	225S-4	37
	970	25,8	93	225M-6	30